



## FOX WS 2

### AIR FILTRATION SYSTEMS



OIL MIST COLLECTORS FROM 250 TO 2000M<sup>3</sup>/H FOR THE ELIMINATION OF:

- Oil and emulsion mist
- Vapor
- Smoke

#### YOUR ADVANTAGES:

- High filtration providing 99.7% efficiency
- Long life-time of the filters
- Integration to the machine tool
- Control panel for quick and easy monitoring
- Wide range of accessories and options, including HEPA filters



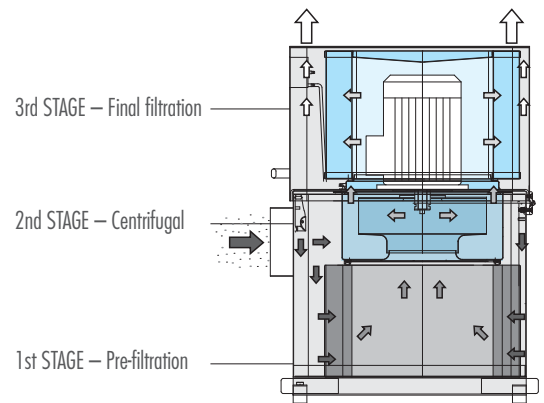
YOUR ONE-STOP-SHOP  
FOR MACHINE-TOOL PERIPHERALS

## GUARANTEED FILTRATION

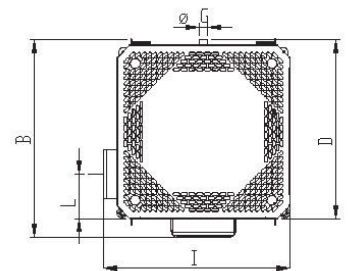
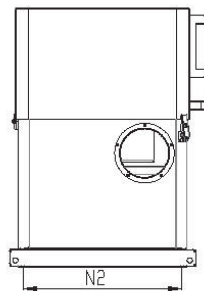
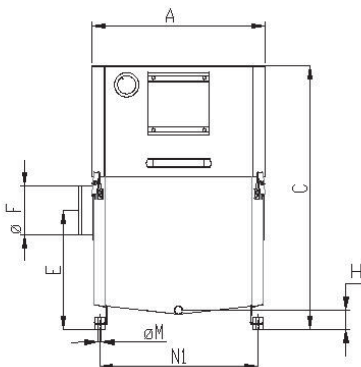
**1st STAGE:** Pre-filtration, a special cartridge, composed of 3 different stages (one of them washable) with progressive filtration levels grants a 92% efficiency level. Its main characteristics are the high capability of accumulating particles and the slow and efficient draining effect.

**2nd STAGE:** Centrifugal, a special impeller ensures the centrifugal effect that enables the continuous discharge of recondensed particles.

**3rd STAGE:** Extended filtration area, made of fiberglass, provides an average efficiency level above 99% (measured accordingly to AFNOR NFX 44-060 norm). Clogging is monitored by a pressure gauge that clearly indicates when the cartridge must be replaced.



| Dimensions (mm) | A   | B   | C   | D   | E   | ø F | ø G | H  | I   | L   | N1 x N2 x ø M |
|-----------------|-----|-----|-----|-----|-----|-----|-----|----|-----|-----|---------------|
| WS 2 250        | 378 | 477 | 583 | 425 | 242 | 99  | 25  | 68 | 420 | 102 | 332 x 382 x 9 |
| WS 2 500        | 408 | 515 | 652 | 460 | 276 | 124 | 25  | 67 | 450 | 120 | 363 x 395 x 9 |
| WS 2 1000       | 525 | 600 | 801 | 543 | 362 | 149 | 25  | 60 | 567 | 135 | 478 x 478 x 9 |
| WS 2 1500       | 600 | 673 | 908 | 617 | 396 | 198 | 25  | 59 | 640 | 176 | 552 x 552 x 9 |
| WS 2 2000       | 663 | 737 | 994 | 680 | 437 | 198 | 25  | 59 | 703 | 181 | 615 x 615 x 9 |



| Technical specifications |                     | WS 2 250* | WS 2 500* | WS 2 1000 | WS 2 1500 | WS 2 2000 |
|--------------------------|---------------------|-----------|-----------|-----------|-----------|-----------|
|                          |                     | 50 Hz     | 50 Hz     | 50 Hz     | 50 Hz     | 50 Hz     |
| Air flow                 | [m <sup>3</sup> /h] | 240       | 470       | 950       | 1450      | 1800      |
| Static pressure          | [Pa]                | 470       | 610       | 950       | 1260      | 1720      |
| Motor                    | [kW]                | 0.24      | 0.37      | 0.75      | 1.5       | 2.2       |
| Weight                   | [kg]                | 28        | 35        | 55        | 75        | 85        |
| Sound level              | [dB(A)]             | 62        | 65        | 71        | 74        | 76        |

\*Also available in vertical aspiration.

All units painted in RAL 7035/7016 (special colors available upon request)



**scemama sa**  
 Machines-outils / neuf et occasion - Machines-tools / second-hand  
 Werkzeugmaschinen / neu und gebraucht

Route de Soleuré 145  
 CH-2504 Bienne / Switzerland  
 Tél +41 (0)32 344 20 60  
 fax +41 (0)32 344 20 66  
 www.scemama.ch info@scemama.ch