



FOX WS 2

AIR FILTRATION SYSTEMS



OIL MIST COLLECTORS FROM 250 TO 2000M³/H FOR THE ELIMINATION OF:

- Oil and emulsion mist
- Vapor
- Smoke

YOUR ADVANTAGES:

- High filtration providing 99.7% efficiency
- Long life-time of the filters
- Integration to the machine tool
- Control panel for quick and easy monitoring
- Wide range of accessories and options, including HEPA filters



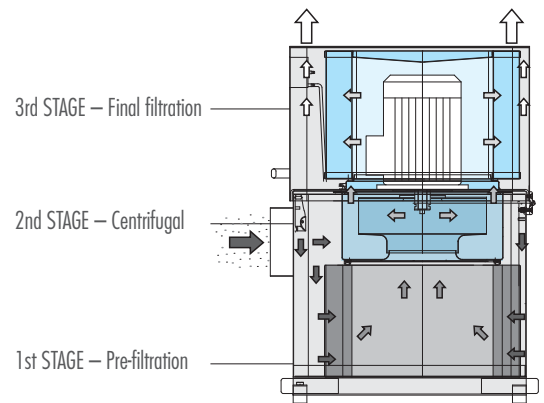
YOUR ONE-STOP-SHOP
FOR MACHINE-TOOL PERIPHERALS

GUARANTEED FILTRATION

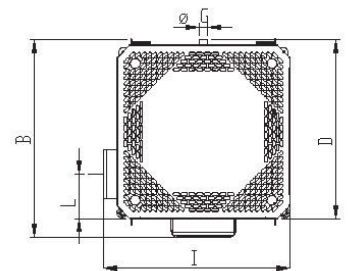
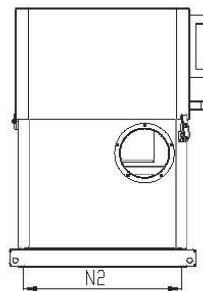
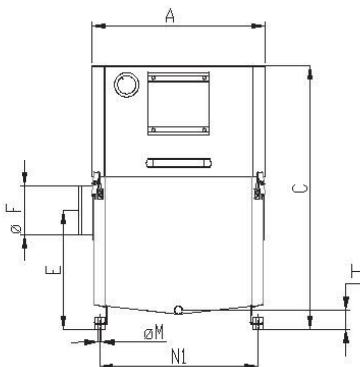
1st STAGE: Pre-filtration, a special cartridge, composed of 3 different stages (one of them washable) with progressive filtration levels grants a 92% efficiency level. Its main characteristics are the high capability of accumulating particles and the slow and efficient draining effect.

2nd STAGE: Centrifugal, a special impeller ensures the centrifugal effect that enables the continuous discharge of recondensed particles.

3rd STAGE: Extended filtration area, made of fiberglass, provides an average efficiency level above 99% (measured accordingly to AFNOR NFX 44-060 norm). Clogging is monitored by a pressure gauge that clearly indicates when the cartridge must be replaced.



| Dimensions (mm) | A | B | C | D | E | ø F | ø G | H | I | L | N1 x N2 x ø M |
|-----------------|-----|-----|-----|-----|-----|-----|-----|----|-----|-----|---------------|
| WS 2 250 | 378 | 477 | 583 | 425 | 242 | 99 | 25 | 68 | 420 | 102 | 332 x 382 x 9 |
| WS 2 500 | 408 | 515 | 652 | 460 | 276 | 124 | 25 | 67 | 450 | 120 | 363 x 395 x 9 |
| WS 2 1000 | 525 | 600 | 801 | 543 | 362 | 149 | 25 | 60 | 567 | 135 | 478 x 478 x 9 |
| WS 2 1500 | 600 | 673 | 908 | 617 | 396 | 198 | 25 | 59 | 640 | 176 | 552 x 552 x 9 |
| WS 2 2000 | 663 | 737 | 994 | 680 | 437 | 198 | 25 | 59 | 703 | 181 | 615 x 615 x 9 |



| Technical specifications | | WS 2 250* | WS 2 500* | WS 2 1000 | WS 2 1500 | WS 2 2000 |
|--------------------------|---------------------|-----------|-----------|-----------|-----------|-----------|
| | | 50 Hz | 50 Hz | 50 Hz | 50 Hz | 50 Hz |
| Air flow | [m ³ /h] | 240 | 470 | 950 | 1450 | 1800 |
| Static pressure | [Pa] | 470 | 610 | 950 | 1260 | 1720 |
| Motor | [kW] | 0.24 | 0.37 | 0.75 | 1.5 | 2.2 |
| Weight | [kg] | 28 | 35 | 55 | 75 | 85 |
| Sound level | [dB(A)] | 62 | 65 | 71 | 74 | 76 |

*Also available in vertical aspiration.

All units painted in RAL 7035/7016 (special colors available upon request)



scemama sa
 Machines-outils / neuf et occasion - Machines-tools / second-hand
 Werkzeugmaschinen / neu und gebraucht

Route de Soleuré 145
 CH-2504 Bienne / Switzerland
 Tél +41 (0)32 344 20 60
 fax +41 (0)32 344 20 66
 www.scemama.ch info@scemama.ch