

# MINI-Z ZOOM LED

24V-AC/DC  
100÷240V-AC

3W  
6.000°K      40.000 h

RoHS RAEE CONFORMITY



IP65



EUROPEAN INDUSTRIAL COMPONENTS

2015/05 miniZ-001



MN03 LZ:F700-24ACDC  
MN03 LZ:F700-100240AC

## HIGH PERFORMANCES

- ▣ Up to 85% energy saving
- ▣ Low performing heat
- ▣ Zero maintenance
- ▣ Aluminium adjustable head with variable angle and high resistance glass
- ▣ Easily adjustable and vibration-resistant flexible arm
- ▣ Resistant to coolants and lubricants
- ▣ Complies with Directives 2006/95/EC, 2004/108/EC and 2006/42/EC as required by Normative EN 1387



# MINI-Z LED IP65

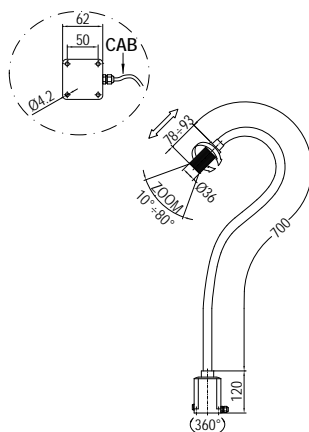
24V-AC/DC  
100=240V-AC

3W  
6.000°K 40.000 h

RoHS RAEE CONFORMITY

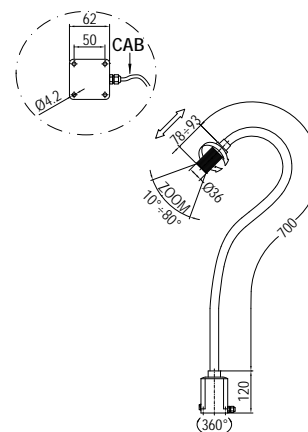


## MINI-Z LED 24V-AC/DC, 3W



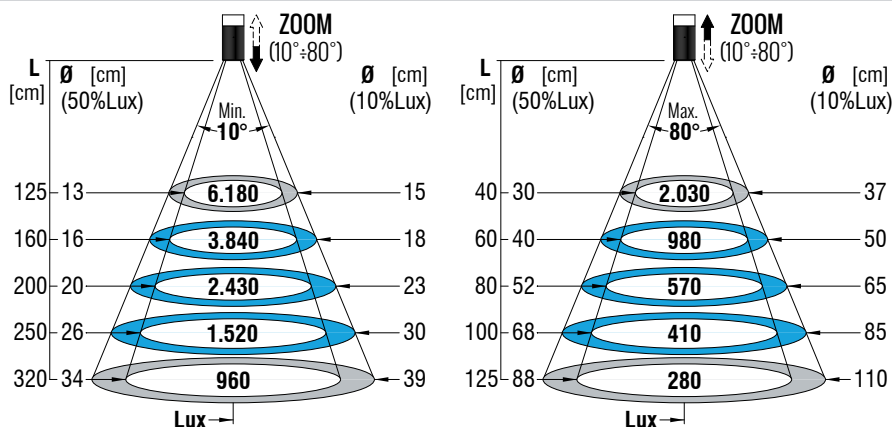
MN03 LZ-F700-24ACDC

## MINI-Z LED 100=240V-AC, 3W



MN03 LZ-F700-100240AC

**ZOOM:**  
adjustable lighting angle from 10° to 80°  
**2 voltage options:**  
-24V-AC/DC with LED driver built-in the base and 2-pole cable  
-100=240V-AC with LED driver built-in the base and cable with 10A Euro plug  
**Optional accessories:**  
mounting clamp, angle plate and magnetic base



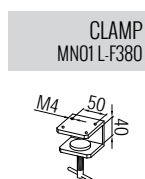
### MINI-Z LED 24V-AC/DC

CODE	Vin	WxLed	CAB. mt	Kg
STANDARD				
MN03 LZ-F700-24ACDC	24V AC/DC	3Wx1	CV 02 1.80	1,10

### MINI-Z LED 100=240V-AC

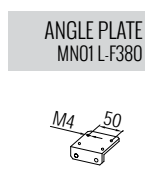
CODE	Vin	WxLed	CAB. mt	Kg
STANDARD				
MN03 LZ-F700-100240AC	100=240V AC	3Wx1	SP 04 1.80	1,10

### OPTIONS

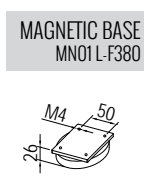


CODE

J C03



J L05



J M01