



FOX WS 2

AIR FILTRATION SYSTEMS



OIL MIST COLLECTORS FROM 250 TO 2000M³/H FOR THE ELIMINATION OF:

- Oil and emulsion mist
- Vapor
- Smoke

YOUR ADVANTAGES:

- High filtration providing 99.7% efficiency
- Long life-time of the filters
- Integration to the machine tool
- Control panel for quick and easy monitoring
- Wide range of accessories and options, including HEPA filters



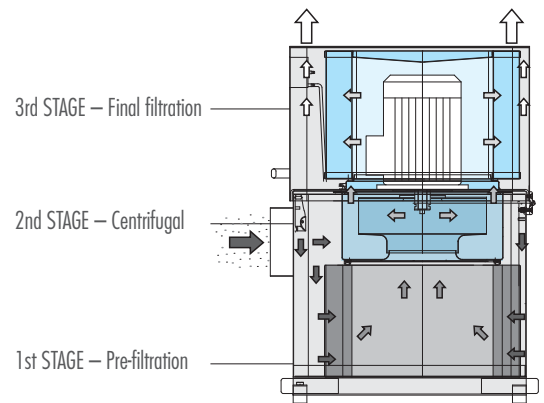
YOUR ONE-STOP-SHOP
FOR MACHINE-TOOL PERIPHERALS

GUARANTEED FILTRATION

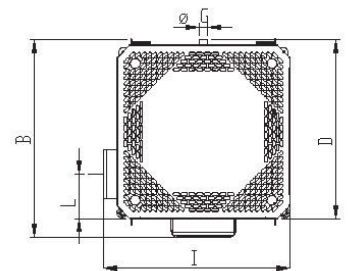
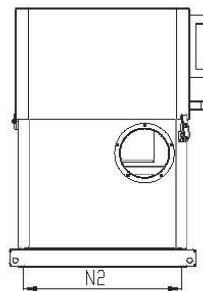
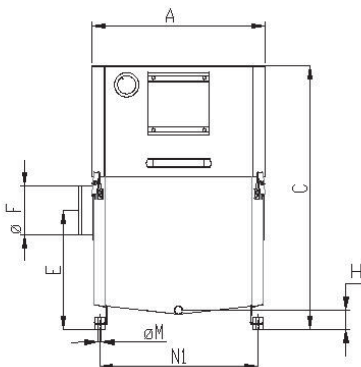
1st STAGE: Pre-filtration, a special cartridge, composed of 3 different stages (one of them washable) with progressive filtration levels grants a 92% efficiency level. Its main characteristics are the high capability of accumulating particles and the slow and efficient draining effect.

2nd STAGE: Centrifugal, a special impeller ensures the centrifugal effect that enables the continuous discharge of recondensed particles.

3rd STAGE: Extended filtration area, made of fiberglass, provides an average efficiency level above 99% (measured accordingly to AFNOR NFX 44-060 norm). Clogging is monitored by a pressure gauge that clearly indicates when the cartridge must be replaced.



Dimensions (mm)	A	B	C	D	E	ø F	ø G	H	I	L	N1 x N2 x ø M
WS 2 250	378	477	583	425	242	99	25	68	420	102	332 x 382 x 9
WS 2 500	408	515	652	460	276	124	25	67	450	120	363 x 395 x 9
WS 2 1000	525	600	801	543	362	149	25	60	567	135	478 x 478 x 9
WS 2 1500	600	673	908	617	396	198	25	59	640	176	552 x 552 x 9
WS 2 2000	663	737	994	680	437	198	25	59	703	181	615 x 615 x 9



Technical specifications		WS 2 250*	WS 2 500*	WS 2 1000	WS 2 1500	WS 2 2000
		50 Hz	50 Hz	50 Hz	50 Hz	50 Hz
Air flow	[m ³ /h]	240	470	950	1450	1800
Static pressure	[Pa]	470	610	950	1260	1720
Motor	[kW]	0.24	0.37	0.75	1.5	2.2
Weight	[kg]	28	35	55	75	85
Sound level	[dB(A)]	62	65	71	74	76

*Also available in vertical aspiration.

All units painted in RAL 7035/7016 (special colors available upon request)



scemama sa
 Machines-outils / neuf et occasion - Machines-tools / second-hand
 Werkzeugmaschinen / neu und gebraucht

Route de Soleuré 145
 CH-2504 Bienne / Switzerland
 Tél +41 (0)32 344 20 60
 fax +41 (0)32 344 20 66
 www.scemama.ch info@scemama.ch