



*Picture of model ML-18 / 325x2000

>Standard equipment

- >Variable speed headstock
- >Cast iron pedestals
- >Electronic and mechanic brake
- >Norton box
- >4 positions tool post
- >Headstock electric lubrication
- >Chip collecting tray
- >Centralized carriages lubrication
- >Coolant equipment
- >Tailstock
- >Retractable chuck guard
- >Slideable carriage guard
- >Rear splash guard
- >Rigid guard of leadscrew
- >Emergency stopper
- >LED lighting
- >Thread meter dial
- >Two fixed centers and reducing bush

scemama sa

Machines-outils / neuf et occasion - Machines-tools / second-hand
Werkzeugmaschinen / neu und gebraucht

Route de Soleure 145
CH-2504 Bienne / Switzerland
Tél +41 (0)32 344 20 60

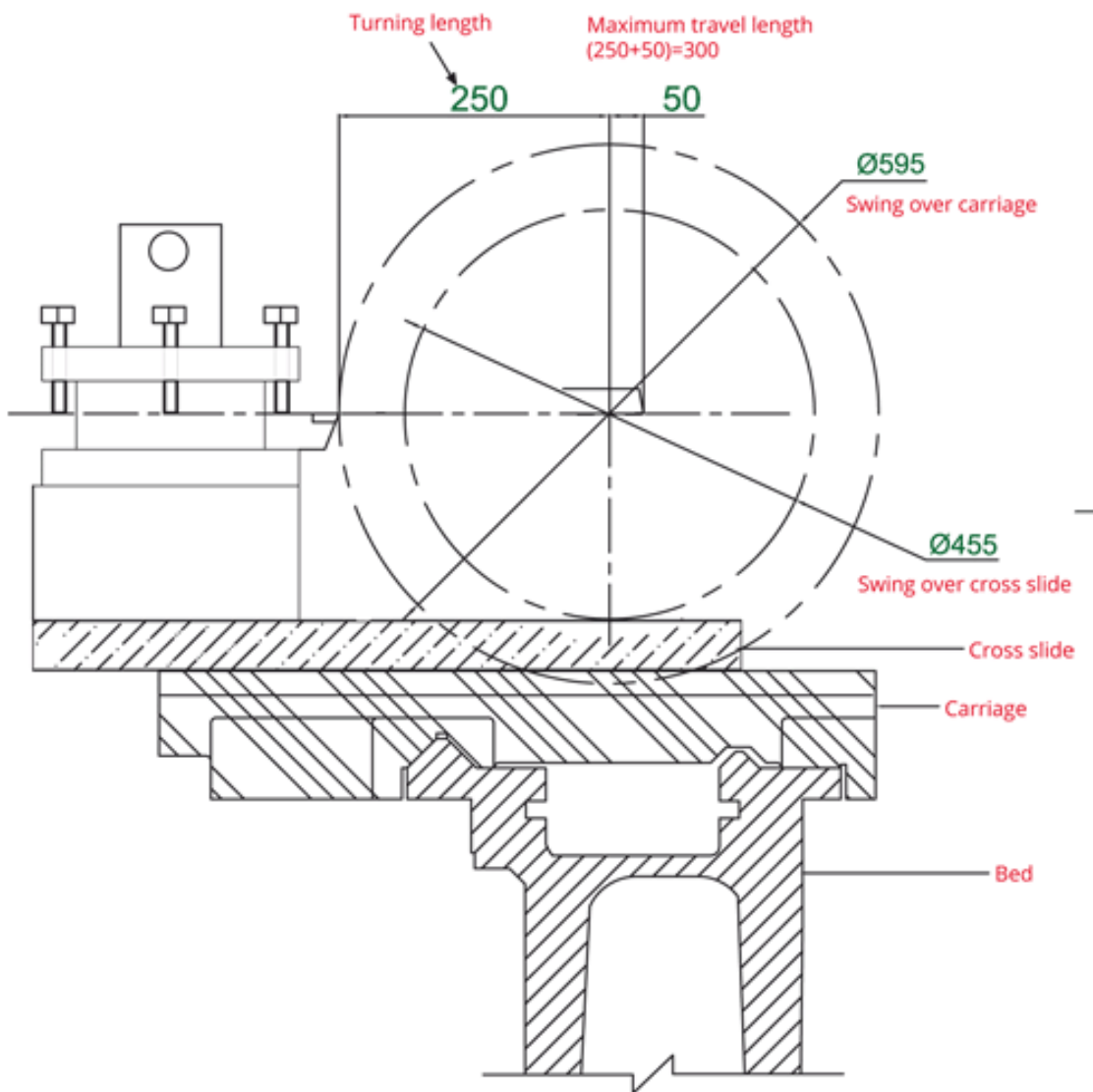
www.scemama.ch info@scemama.ch

>Technical specifications

MODEL			ML-18 325x1000	ML-18 325x1500	ML-18 325x2000	ML-18 325x3000
Type of headstock			Headstock with electronic variable speed			
Center distance		mm / in	1000 / 40	1500 / 60	2000 / 80	3000 / 120
Center height		mm / in	325 / 13			
Swing over bed		mm / in	652 / 26			
Swing over gap		mm / in	910 / 35 ¾			
Gap length from face plate		mm / in	220 / 9			
Swing over carriage		mm / in	595 / 23			
Swing over cross slide		mm / in	440 / 17 ¼			
Cross slide travel		mm / in	340 / 12 ¾			
Top slide travel		mm / in	165 / 6 ½			
Bed width		mm / in	350 / 14			
Headstock main spindle bore		mm / in	80 / 3	105 / 4	155 / 6	
Main spindle nose		ASA / CAMLOCK	A2-8 / D1-8	A2-8 / D1-8	A2-11 / --	
Main spindle morse taper		MT	5			
Speed ranges	Range 1	r.p.m.	30-200	80-200	50-120	
	Range 2	r.p.m.	200-550	200-465	120-290	
	Range 3	r.p.m.	550-1500	465-1250	290-800	
Norton box threads and feeds			55			
Longitudinal feeds		mm/rev	0.05-1.5			
Cross feeds		mm/rev	0.025-0.752			
Metric threads		mm	0.5-15			
Whitworth threads		T.P.I.	60-2			
Modular threads		mm	0.25-7.5			
Diametral Pitch threads		D.P.	120-4			
Ø Leadscrew		mm / in	35 / 1.37			
Lead screw rod pitch		mm / in	6 / 1 ¼			
Ø tailstock quill		mm / in	95 / 3 ¾			
Tailstock quill travel		mm / in	200 / 7 ¾			
Tailstock morse taper		MT	5			
Tool shank		mm / in	25 x 25 / 1 x 1			
Steady rest capacity (small // big)		mm / in	10-180 / ½-7 ¼		180-400 / 7 ¼-15 ½	
Follow rest capacity		mm / in	10-140 / ½-5 ½			
Main motor power		kW	7.5			
Coolant pump power		kW	0.1			
Total length		mm / in	2.650 / 104	3150 / 124	3650 / 144	4.650 / 183
Total width		mm / in	1.140 / 45			
Total height		mm / in	1.610 / 63			
Total weight		Kg / lb	2.250/1.022	2.600/1.182	3.000/1.364	3.850/1.750
Norton box threads and feeds			DIN 8605			

ML-18 / 325

> Tool interference diagram ML-18 / 325



*Valid for manual 4 positions tool post.

scemama sa

Machines-outils / neuf et occasion - Machines-tools / second-hand
Werkzeugmaschinen / neu und gebraucht

Route de Soleure 145
CH-2504 Bienne / Switzerland
Tél +41 (0)32 344 20 60

www.scemama.ch info@scemama.ch