



*Picture of model ML-18 / 325x2000

>Standard equipment

- >Variable speed headstock
- >Cast iron pedestals
- >Electronic and mechanic brake
- >Norton box
- >4 positions tool post
- >Headstock electric lubrication
- >Chip collecting tray
- >Centralized carriages lubrication
- >Coolant equipment
- >Tailstock
- >Retractable chuck guard
- >Slideable carriage guard
- >Rear splash guard
- >Rigid guard of leadscrew
- >Emergency stopper
- >LED lighting
- >Thread meter dial
- >Two fixed centers and reducing bush

scemama sa

Machines-outils / neuf et occasion - Machines-tools / second-hand
Werkzeugmaschinen / neu und gebraucht

Route de Soleure 145
CH-2504 Bienne / Switzerland
Tél +41 (0)32 344 20 60

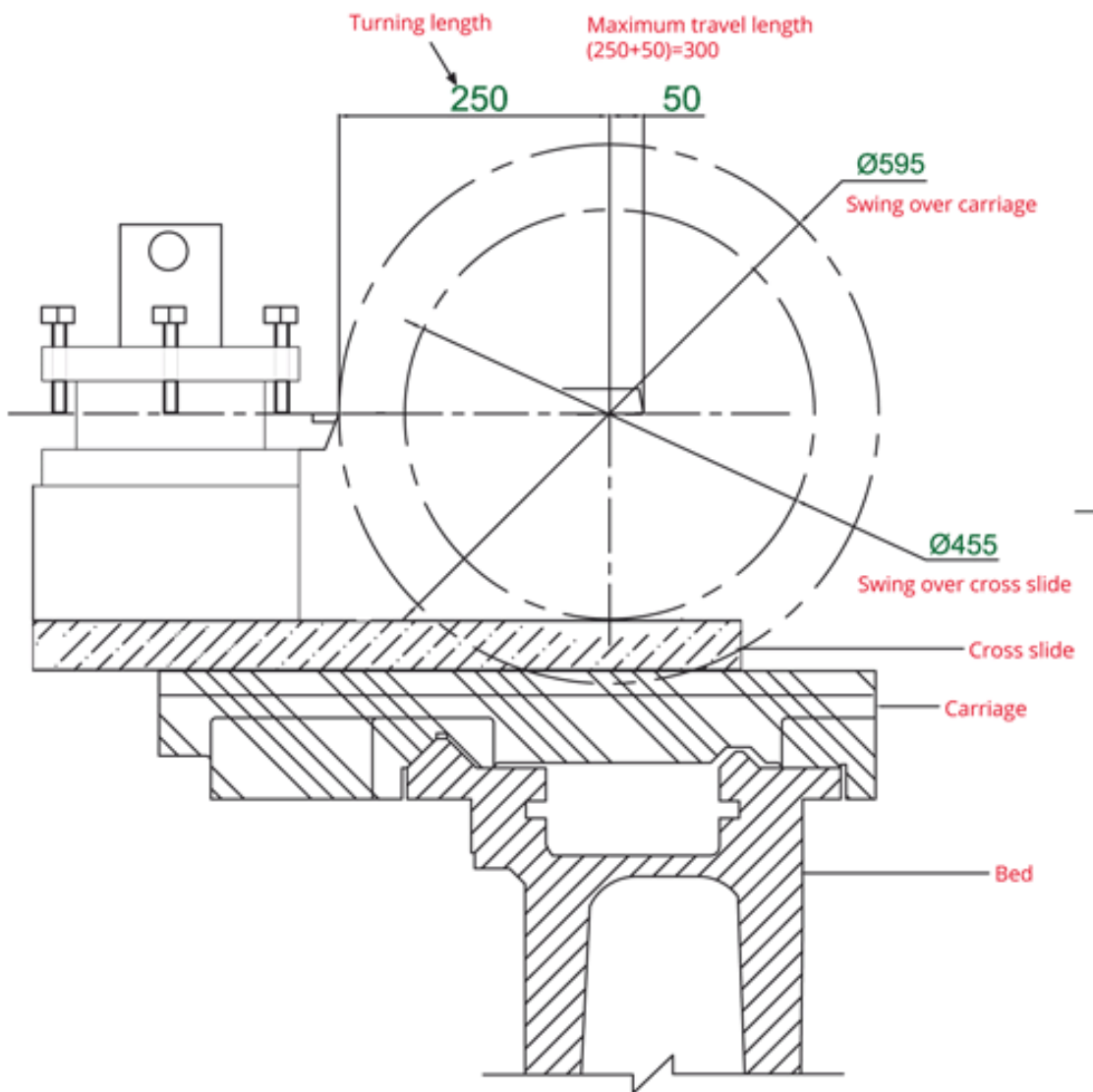
www.scemama.ch info@scemama.ch

>Technical specifications

| MODEL | | ML-18 325x1000 | ML-18 325x1500 | ML-18 325x2000 | ML-18 325x3000 |
|-------------------------------------|---------------|--|-------------------|--------------------|-------------------|
| Type of headstock | | Headstock with electronic variable speed | | | |
| Center distance | mm / in | 1000 / 40 | 1500 / 60 | 2000 / 80 | 3000 / 120 |
| Center height | mm / in | 325 / 13 | | | |
| Swing over bed | mm / in | 652 / 26 | | | |
| Swing over gap | mm / in | 910 / 35 ¾ | | | |
| Gap length from face plate | mm / in | 220 / 9 | | | |
| Swing over carriage | mm / in | 595 / 23 | | | |
| Swing over cross slide | mm / in | 440 / 17 ¼ | | | |
| Cross slide travel | mm / in | 340 / 12 ¾ | | | |
| Top slide travel | mm / in | 165 / 6 ½ | | | |
| Bed width | mm / in | 350 / 14 | | | |
| Headstock main spindle bore | mm / in | 80 / 3 | 105 / 4 | 155 / 6 | |
| Main spindle nose | ASA / CAMLOCK | A2-8 / D1-8 | A2-8 / D1-8 | A2-11 / -- | |
| Main spindle morse taper | MT | 5 | | | |
| Speed ranges | Range 1 | r.p.m. | 30-200 | 80-200 | 50-120 |
| | Range 2 | r.p.m. | 200-550 | 200-465 | 120-290 |
| | Range 3 | r.p.m. | 550-1500 | 465-1250 | 290-800 |
| Norton box threads and feeds | | 55 | | | |
| Longitudinal feeds | mm/rev | 0.05-1.5 | | | |
| Cross feeds | mm/rev | 0.025-0.752 | | | |
| Metric threads | mm | 0.5-15 | | | |
| Whitworth threads | T.P.I. | 60-2 | | | |
| Modular threads | mm | 0.25-7.5 | | | |
| Diametral Pitch threads | D.P. | 120-4 | | | |
| ∅ Leadscrew | mm / in | 35 / 1.37 | | | |
| Lead screw rod pitch | mm / in | 6 / 1 ¼ | | | |
| ∅ tailstock quill | mm / in | 95 / 3 ¾ | | | |
| Tailstock quill travel | mm / in | 200 / 7 ¾ | | | |
| Tailstock morse taper | MT | 5 | | | |
| Tool shank | mm / in | 25 x 25 / 1 x 1 | | | |
| Steady rest capacity (small // big) | mm / in | 10-180 / ½-7 ¼ | | 180-400 / 7 ¼-15 ½ | |
| Follow rest capacity | mm / in | 10-140 / ½-5 ½ | | | |
| Main motor power | kW | 7.5 | | | |
| Coolant pump power | kW | 0.1 | | | |
| Total length | mm / in | 2.650 / 104 | 3150 / 124 | 3650 / 144 | 4.650 / 183 |
| Total width | mm / in | 1.140 / 45 | | | |
| Total height | mm / in | 1.610 / 63 | | | |
| Total weight | Kg / lb | 2.250/1.022 | 2.600/1.182 | 3.000/1.364 | 3.850/1.750 |
| Norton box threads and feeds | | DIN 8605 | | | |

ML-18 / 325

> Tool interference diagram ML-18 / 325



*Valid for manual 4 positions tool post.

scemama sa

Machines-outils / neuf et occasion - Machines-tools / second-hand
Werkzeugmaschinen / neu und gebraucht

Route de Soleure 145
CH-2504 Bienne / Switzerland
Tél +41 (0)32 344 20 60

www.scemama.ch info@scemama.ch