



\*Picture of model ML-18 / 325x2000

#### >Standard equipment

- >Variable speed headstock
- >Cast iron pedestals
- >Electronic and mechanic brake
- >Norton box
- >4 positions tool post
- >Headstock electric lubrication
- >Chip collecting tray
- >Centralized carriages lubrication
- >Coolant equipment
- >Tailstock
- >Retractable chuck guard
- >Slideable carriage guard
- >Rear splash guard
- >Rigid guard of leadscrew
- >Emergency stopper
- >LED lighting
- >Thread meter dial
- >Two fixed centers and reducing bush

# scemama sa

Machines-outils / neuf et occasion - Machines-tools / second-hand  
Werkzeugmaschinen / neu und gebraucht

Route de Soleure 145  
CH-2504 Bienne / Switzerland  
Tél +41 (0)32 344 20 60

[www.scemama.ch](http://www.scemama.ch) [info@scemama.ch](mailto:info@scemama.ch)

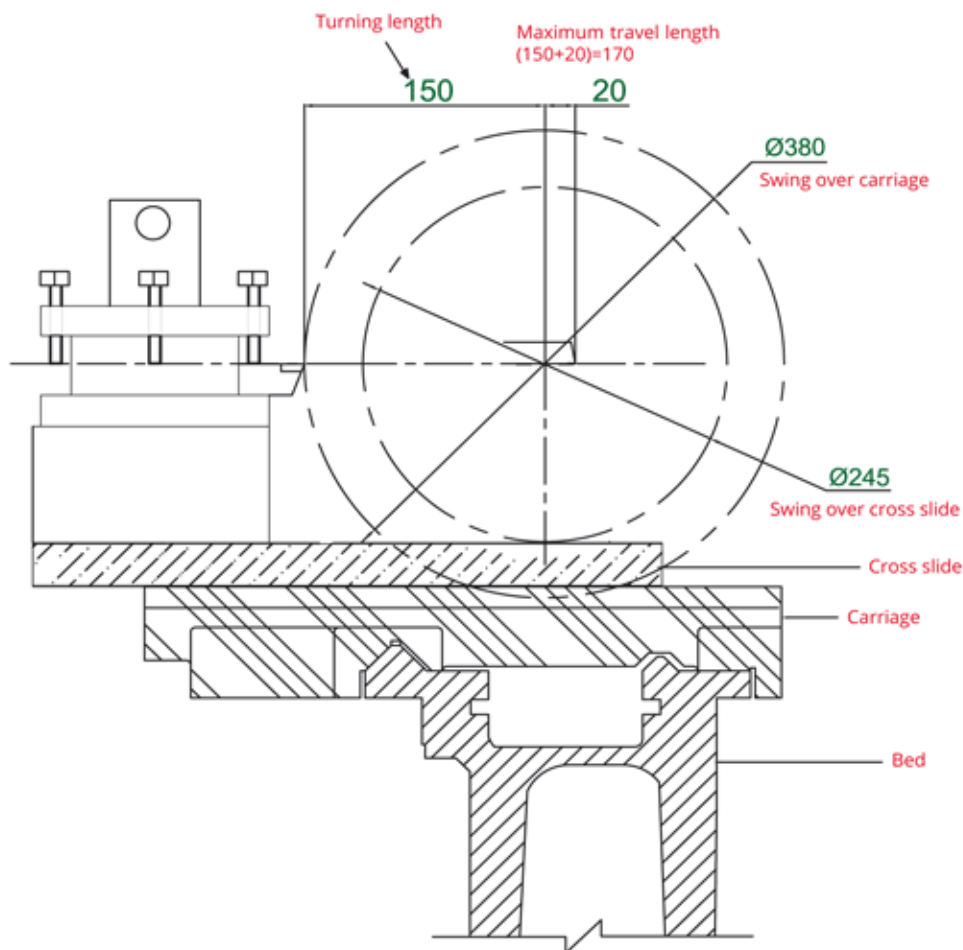
# ML-18 / 250

## >Technical specifications

MODEL		ML-18 / 250x1000	ML-18 / 250x1500	
Type of headstock		Headstock with electronic variable speed		
Center distance	mm / in	1000 / 40	1500 / 60	
Center height	mm / in	250 / 10		
Swing over bed	mm / in	502 / 20		
Swing over gap	mm / in	700 / 27 ½		
Gap length from face plate	mm / in	160 / 6		
Swing over carriage	mm / in	475 / 18 ½		
Swing over cross slide	mm / in	310 / 12		
Cross slide travel	mm / in	250 / 9 ¾		
Top slide travel	mm / in	130 / 5		
Bed width	mm / in	300 / 14		
Headstock main spindle bore	mm / in	58 / 2 ½	105 / 4	
Main spindle nose	ASA / CAMLOCK	A2-6 / D1-6	A2-8 / D1-8	
Main spindle morse taper	MT	4		
Speed ranges	Range 1	r.p.m.	40-275	85-200
	Range 2	r.p.m.	275-760	200-465
	Range 3	r.p.m.	760-2080	465-1250
Norton box threads and feeds		44		
Longitudinal feeds	mm/rev	0.05-0.752		
Cross feeds	mm/rev	0.022-0.296		
Metric threads	mm	0.5-7.5		
Whitworth threads	T.P.I.	60-4		
Modular threads	mm	0.25-3.75		
Diametral Pitch threads	D.P.	120-8		
∅ Leadscrew	mm / in	35 / 1.37		
Lead screw rod pitch	mm / in	6 / 1 ¼		
∅ tailstock quill	mm / in	69 / 2 ½		
Tailstock quill travel	mm / in	200 / 7 ¾		
Tailstock morse taper	MT	4		
Tool shank	mm / in	25 x 25 / 1 x 1		
Steady rest capacity (small // big)	mm / in	10-140 / ½-5 ½	140-300 / 5½-11	
Follow rest capacity	mm / in	10-100 / ½-4		
Main motor power	kW	5.5		
Coolant pump power	kW	0.1		
Total length	mm / in	2.630 / 103	3.130 / 123	
Total width	mm / in	960 / 238		
Total height	mm / in	1.550 / 61		
Total weight	Kg / lb	1.930 / 877	2.090 / 950	
Verification standard		DIN 8605		

**ML-18 / 250**

**> Tool interference diagram ML-18 / 250**



\*Valid for manual 4 positions tool post.de 4 posiciones

**scemama sa**

Machines-outils / neuf et occasion - Machines-tools / second-hand  
Werkzeugmaschinen / neu und gebraucht

Route de Soleure 145  
CH-2504 Bienne / Switzerland  
Tél +41 (0)32 344 20 60

[www.scemama.ch](http://www.scemama.ch) [info@scemama.ch](mailto:info@scemama.ch)